

Global Collection



- * Framed Cabinet with Full Overlay Shaker Doors and Drawers;
- * Solid Birch Frame and Door Frame with HDF Center Panel
- * Under Mount Full Extension Soft Close Drawer Glides
- * Concerled European Style Soft Close Hinges
- * 1/2" Plywood Box with UV Coated Matching Exterior
- * UV Coated Natural Interior
- * Glue & Staple or Metal Clip Assembly
- * Dovetailed all Wood Drawer Boxes

470.719.9998 - 470.719.9999
4400 Bankers Circle Suite J
Doraville, GA 30360

Office Hours: M - F 8am - 5pm
Warehouse Hours: M - F 8am - 3:30pm



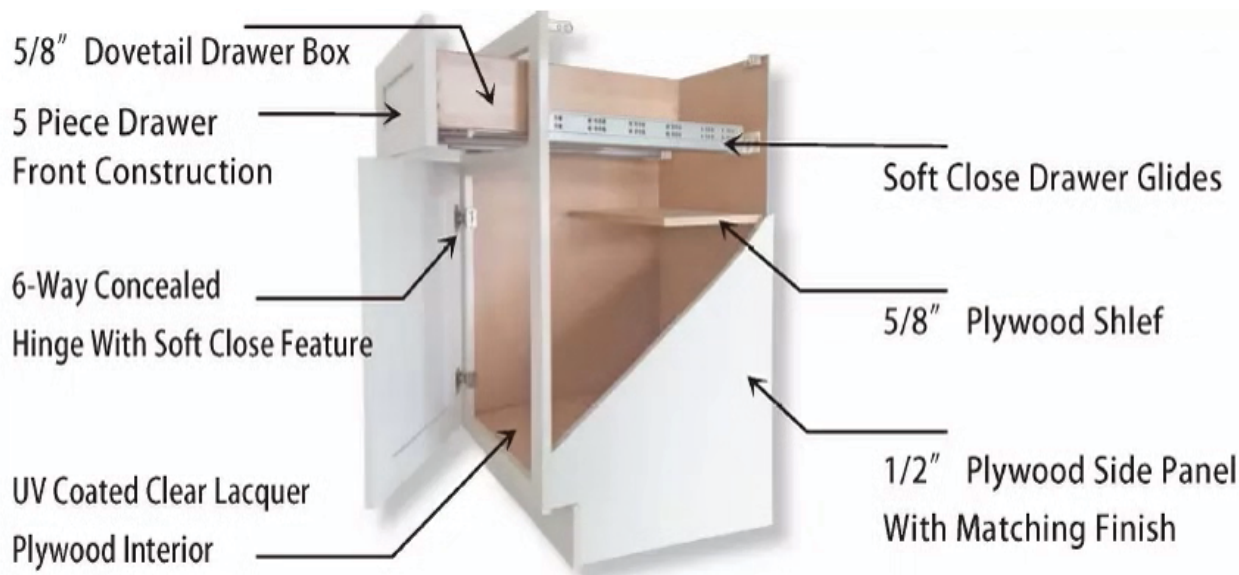
ABOUT US

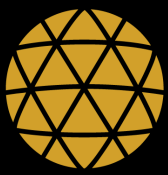
Global Cabinetry is a blend of cabinetry professionals from many different areas of the cabinet industry. This mix of knowledge and experience has allowed us to build a company that truly understands the need of its customers. Our focus is on providing products that exceed our customers' expectations in quality, price and service.

SERVICE AND QUALITY

At Global Cabinetry, we believe quality and service go hand in hand. They are paramount to the success of not only our company, but our customers as well. We strive everyday to bring wood cabinets that are of the highest quality material, construction, and function to the market. We pair those attributes together along with first class customer service to bring you the best value found any where in the RTA industry.

We are continuously investing and implementing ways to streamline and improve our order processing. We have put a special emphasis on improving inventory control by using proprietary demand planning which we feel separates us from our competitors and help us maintain a good supply of cabinets that our customers depend on. Our team of experienced cabinet professionals are available to answer questions or listen to your concerns. Customer feedback and suggestions are welcomed, addressed, and very important to the improvement of our processes. We want to hear from you!

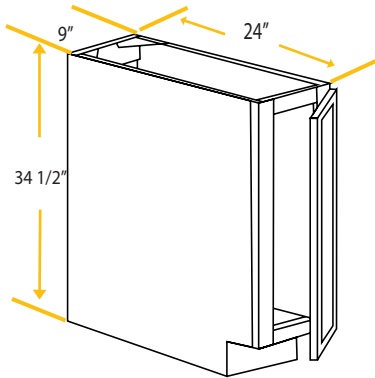




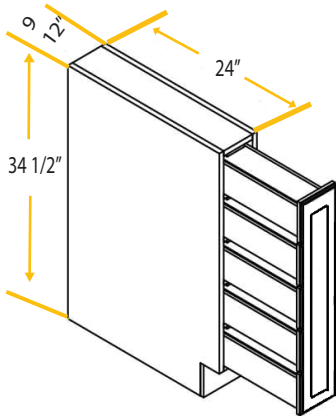
Product Specifications

BASE CABINETS

TRAY BASE CABINETS



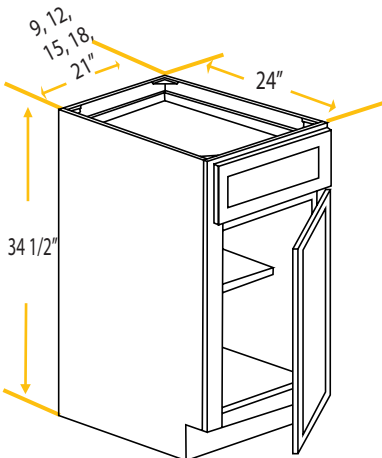
Model	Description	Width	Height	Depth
BT9	Cabinet Dimension	9	34 1/2	24
	Door Dimension	8 1/2	29 1/4	3/4



BCP09	Cabinet Dimension	9	34 1/2	24
	Door Dimension	8 1/2	29 1/4	3/4

BCP12	Cabinet Dimension	12	34 1/2	24
	Door Dimension	11 1/2	29 1/4	3/4

SINGLE DOOR AND DRAWER BASE CABINETS



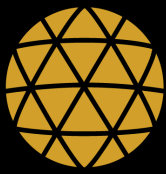
Model	Description	Width	Height	Depth
B9	Cabinet Dimension	9	34 1/2	24
	Door Dimension	8 1/2	22 1/2	3/4
	Drawer Front	8 1/2	6 1/2	3/4
	Drawer Boxes	5 1/2	4	21

B12	Cabinet Dimension	12	34 1/2	24
	Door Dimension	11 1/2	22 1/2	3/4
	Drawer Front	11 1/2	6 1/2	3/4
	Drawer Boxes	8 1/2	4	21

B15	Cabinet Dimension	15	34 1/2	24
	Door Dimension	14 1/2	22 1/2	3/4
	Drawer Front	14 1/2	6 1/2	3/4
	Drawer Boxes	11 1/2	4	21

B18	Cabinet Dimension	18	34 1/2	24
	Door Dimension	17 1/2	22 1/2	3/4
	Drawer Front	17 1/2	6 1/2	3/4
	Drawer Boxes	14 1/2	4	21

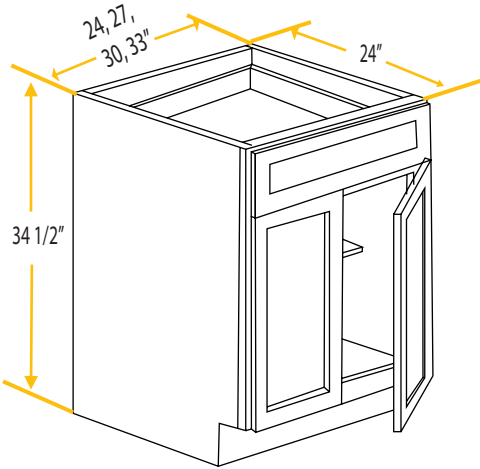
B21	Cabinet Dimension	21	34 1/2	24
	Door Dimension	20 1/2	22 1/2	3/4
	Drawer Front	20 1/2	6 1/2	3/4
	Drawer Boxes	17 1/2	4	21



Product Specifications

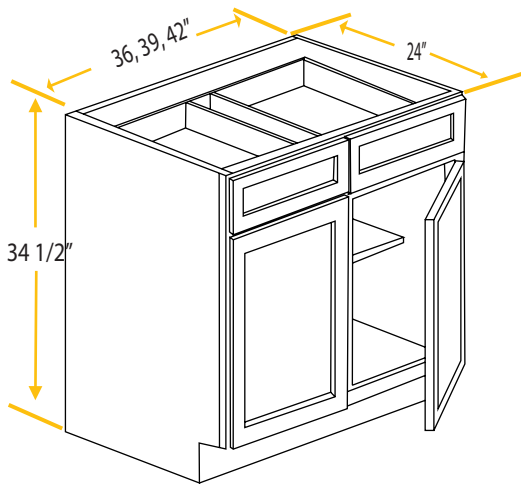
BASE CABINETS

SINGLE DOOR AND DOUBLE DOOR BASE CABINETS

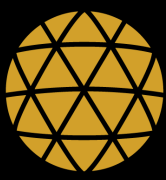


Model	Description	Width	Height	Depth
B24	Cabinet Dimension	24	34 1/2	24
	Door Dimension	11 3/4	22 1/2	3/4
	Drawer Front	23 1/2	6 1/2	3/4
	Drawer Boxes	20 1/2	4	21
B27	Cabinet Dimension	27	34 1/2	24
	Door Dimension	13 1/4	22 1/2	3/4
	Drawer Front	26 1/2	6 1/2	3/4
	Drawer Boxes	23 1/2	4	21
B30	Cabinet Dimension	30	34 1/2	24
	Door Dimension	14 3/4	22 1/2	3/4
	Drawer Front	30 1/2	6 1/2	3/4
	Drawer Boxes	26 1/2	4	21
B33	Cabinet Dimension	33	34 1/2	24
	Door Dimension	16 1/4	22 1/2	3/4
	Drawer Front	32 1/2	6 1/2	3/4
	Drawer Boxes	29 1/2	4	21

DOUBLE DOOR AND DOOR BASE CABINETS



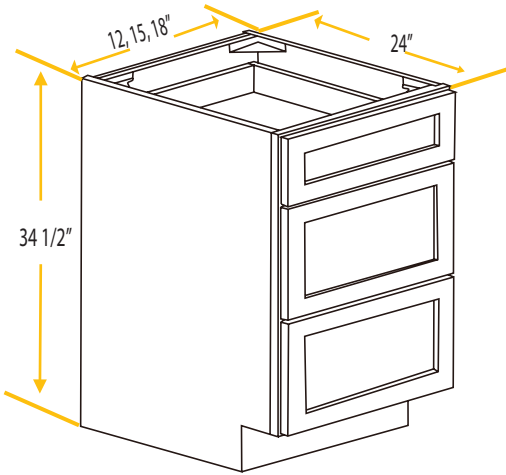
Model	Description	Width	Height	Depth
B36	Cabinet Dimension	36	34 1/2	24
	Door Dimension	17 1/2	22 3/4	3/4
	Drawer Front	17 1/2	6 1/4	3/4
	Drawer Box	15 1/4	3 3/4	20 3/8
B39	Cabinet Dimension	39	34 1/2	24
	Door Dimension	19	22 1/2	3/4
	Drawer Front	19	6 1/2	3/4
	Drawer Boxes	16 3/4	4	21
B42	Cabinet Dimension	42	34 1/2	24
	Door Dimension	20 1/2	22 1/2	3/4
	Drawer Front	20 1/2	6 1/2	3/4
	Drawer Boxes	18 1/4	4	21



Product Specifications

BASE CABINETS

DRAWER BASE CABINETS



Model	Description	Width	Height	Depth
3DB12	Cabinet Dimension	12	34 1/2	24
	Top Drawer Front	11 1/2	6 1/2	3/4
	Top Drawer Box	8 1/2	3 3/4	21
	Bottom two Drawer Front	11 1/2	11	3/4
	Bottom Two Drawer Boxes	8 1/2	6	21

3DB15	Cabinet Dimension	15	34 1/2	24
	Top Drawer Front	14 1/2	6 1/2	3/4
	Top Drawer Box	11 1/2	3 3/4	21
	Bottom two Drawer Front	14 1/2	11	3/4
	Bottom Two Drawer Boxes	11 1/2	6	21

3DB18	Cabinet Dimension	18	34 1/2	24
	Top Drawer Front	17 1/2	6 1/2	3/4
	Top Drawer Box	14 1/2	3 3/4	21
	Bottom two Drawer Front	17 1/2	11	3/4
	Bottom Two Drawer Boxes	14 1/2	6	21

3DB21	Cabinet Dimension	21	34 1/2	24
	Top Drawer Front	20 1/2	6 1/2	3/4
	Top Drawer Box	17 1/2	3 3/4	21
	Bottom two Drawer Front	20 1/2	11	3/4
	Bottom Two Drawer Boxes	17 1/2	6	21

3DB24	Cabinet Dimension	24	34 1/2	24
	Top Drawer Front	23 1/2	6 1/2	3/4
	Top Drawer Box	20 1/2	3 3/4	21
	Bottom two Drawer Front	23 1/2	11	3/4
	Bottom Two Drawer Boxes	20 1/2	6	21

3DB27	Cabinet Dimension	27	34 1/2	24
	Top Drawer Front	26 1/2	6 1/2	3/4
	Top Drawer Box	23 1/2	3 3/4	21
	Bottom two Drawer Front	26 1/2	11	3/4
	Bottom Two Drawer Boxes	23 1/2	6	21

3DB30	Cabinet Dimension	30	34 1/2	24
	Top Drawer Front	29 1/2	6 1/2	3/4
	Top Drawer Box	26 1/2	3 3/4	21
	Bottom Two Drawer Front	29 1/2	11	3/4
	Bottom Two Drawer Boxes	26 1/2	6	21

3DB33	Cabinet Dimension	33	34 1/2	24
	Top Drawer Front	32 1/2	6 1/2	3/4
	Top Drawer Box	29 1/2	3 3/4	21
	Bottom Two Drawer Front	32 1/2	11	3/4
	Bottom Two Drawer Boxes	29 1/2	6	21

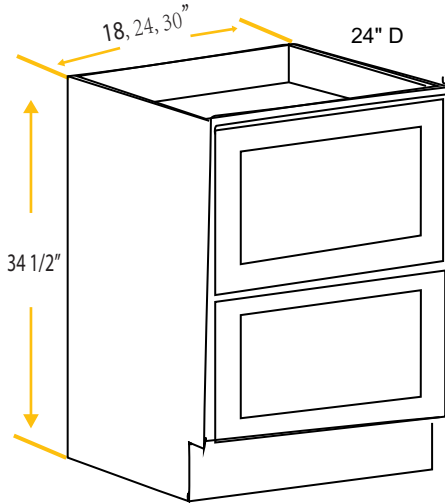
3DB36	Cabinet Dimension	36	34 1/2	24
	Top Drawer Front	35 1/2	6 1/2	3/4
	Top Drawer Box	33 1/2	3 3/4	21
	Bottom Two Drawer Front	35 1/2	11	3/4
	Bottom Two Drawer Boxes	33 1/2	6	21



Product Specifications

BASE CABINETS

TWO DRAWERS BASE CABINETS

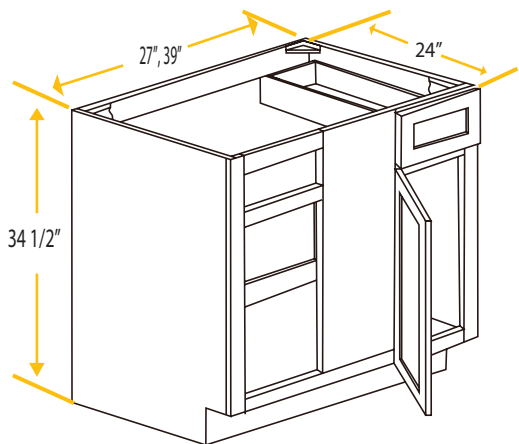


Model	Description	Width	Height	Depth
2DB18	Cabinet Dimension	18	34 1/2	24
	Top Drawer Front	17 1/2	14 1/2	3/4
	Top Drawer Box	14 1/2	9	21
	Bottom Drawer Front	17 1/2	14 1/2	3/4
	Bottom Drawer Boxes	14 1/2	9	21

2DB24	Cabinet Dimension	24	34 1/2	24
	Top Drawer Front	23 1/2	14 1/2	3/4
	Top Drawer Box	20 1/2	9	21
	Bottom Drawer Front	23 1/2	14 1/2	3/4
	Bottom Drawer Boxes	20 1/2	9	21

2DB30	Cabinet Dimension	30	34 1/2	24
	Top Drawer Front	29 1/2	14 1/2	3/4
	Top Drawer Box	26 1/2	9	21
	Bottom Drawer Front	29 1/2	14 1/2	3/4
	Bottom Drawer Boxes	26 1/2	9	21

BLIND BASE CABINET



BBC36-39	Cabinet Dimension	26 1/2	34 1/2	24
	Door Dimension	10	22 1/2	3/4
	Drawer Front	10	6 1/2	3/4
	Drawer Boxes	6 3/4	4	21

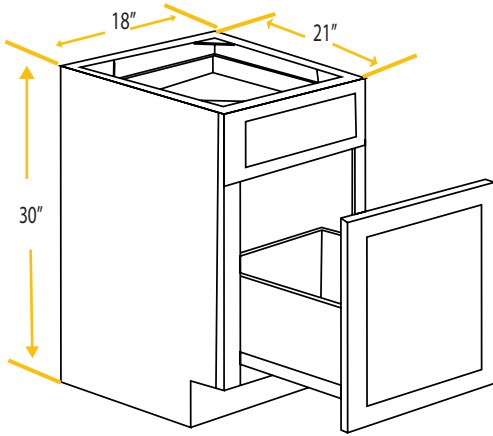
BBC42	Cabinet Dimension	38 1/2	34 1/2	24
	Door Dimension	15 1/2	22 1/2	3/4
	Drawer Front	15 1/2	6 1/2	3/4
	Drawer Boxes	11 1/4	4	21

Model	Box Size	Min	Max	Stile
BBC36	26 1/2	36 1/2	39	9
BBC41-45	38 1/2	41 1/2	45	9

Product Specifications

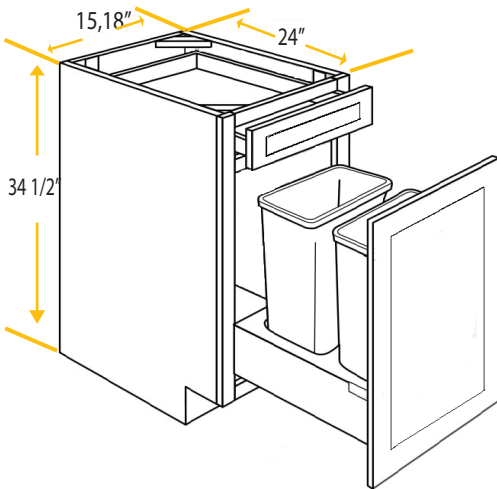
BASE CABINETS

OFFICE SUITE CABINETS



Model	Description	Width	Height	Depth
DFD18	Cabinet Dimension	18	30	21
	Top Drawer Front	17 ½	6 ½	¾
	Top Drawer Box	17	3 ¾	18
	Bottom two Drawer Front	17	11 ¼	¾
	Bottom Two Drawer Boxes	17	6	18

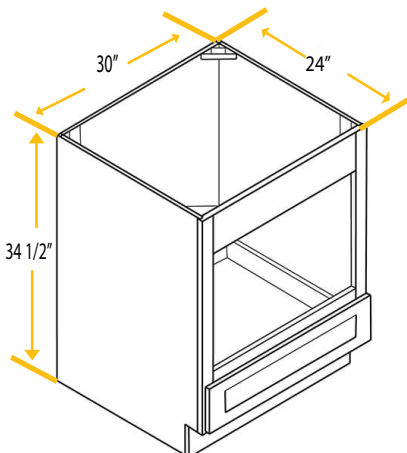
TRASH BASE CABINETS



TCK15	Cabinet Dimension	15	34 ½	24
	Door Dimension	14 ½	22 ½	¾
	Drawer Front	14 ½	6 ½	¾
	Drawer Boxes	11 ½	19	21

TCK18	Cabinet Dimension	18	34 ½	24
	Door Dimension	17 ½	22 ½	¾
	Drawer Front	17 ½	6 ½	¾
	Trash Can Kit	14 ½	19	21

MICROWAVE BASE CABINETS



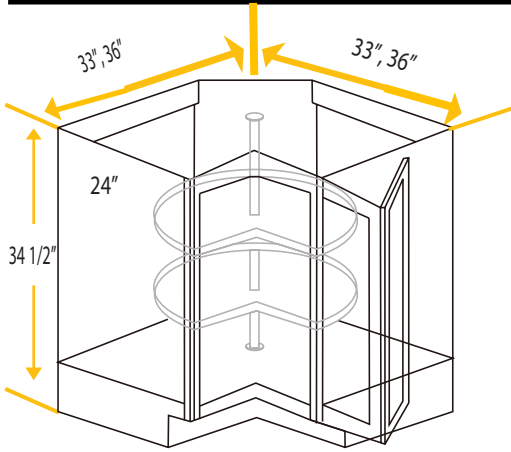
MB30	Cabinet Dimension	30	34 ½	24
	Opening Area for Microwave	More than 25"X20" space for customer to cut and fit with the Microwave		
	Drawer Front	29 ½	6 ½	¾
	Drawer Boxes	5 ½	4	21



Product Specifications

BASE CABINETS

CORNER BASE CABINETS / LAZY SUSAN CABINETS

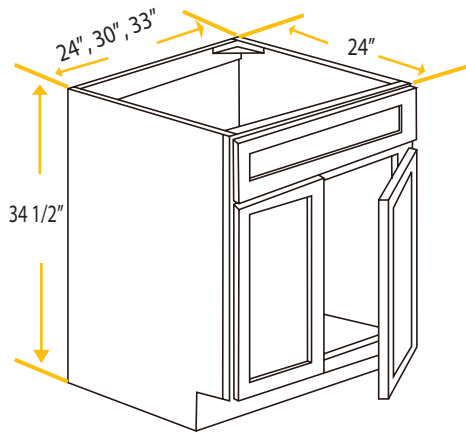


Model	Description	Width	Height	Depth
LSB33	Cabinet Dimension	33	34 1/2	24
	Door Dimension	8 3/4 x 2	29 1/2	3/4

LSB36	Cabinet Dimension	36	34 1/2	24
	Door Dimension	11 3/4 x 2	29 1/2	3/4

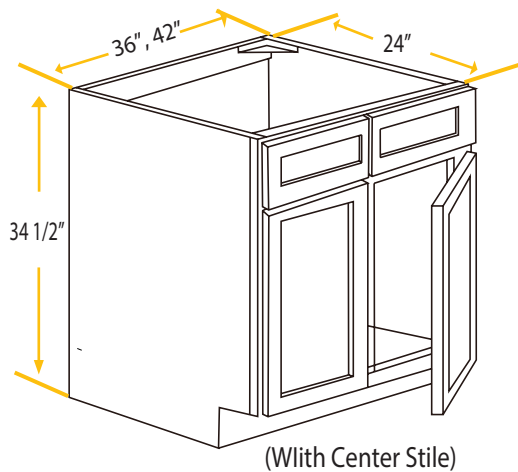
*With wood tray

SINK BASE CABINETS



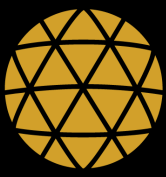
SB30	Cabinet Dimension	30	34 1/2	24
	Door Dimension	14 3/4	22 1/2	3/4
	Drawer Front	29 1/2	6 1/2	3/4

SB33	Cabinet Dimension	33	34 1/2	24
	Door Dimension	16 3/4	22 1/2	3/4
	Drawer Front	32 1/2	6 1/2	3/4



SB36	Cabinet Dimension	36	34 1/2	24
	Door Dimension	17 1/2	22 1/2	3/4
	Drawer Front	17 1/2	6 1/2	3/4

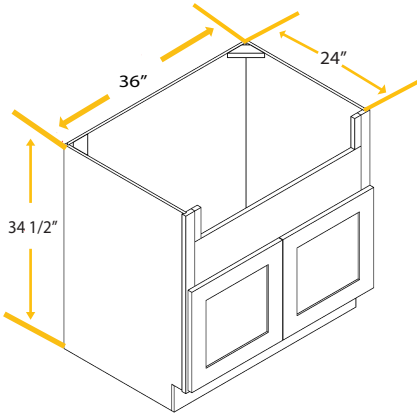
SB42	Cabinet Dimension	42	34 1/2	24
	Door Dimension	21 1/2	22 1/2	3/4
	Drawer Front	21 1/2	6 1/2	3/4



Product Specifications

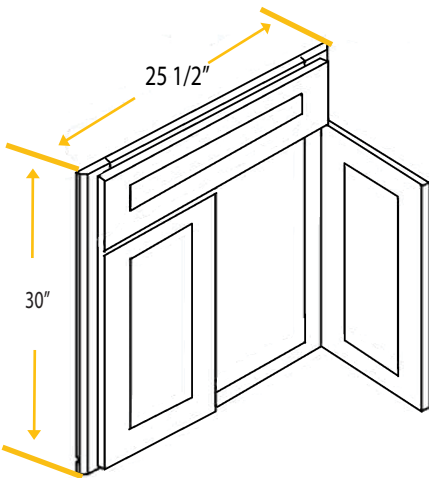
BASE CABINETS

SINK BASE - FARM SINK BASE CABINETS

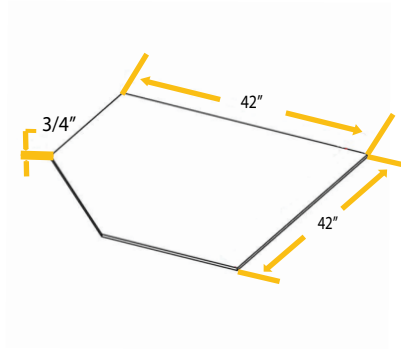


Model	Description	Width	Height	Depth
FSB36	Cabinet Dimension	36	30	24
	Door Dimension	17 3/4	22 1/2	3/4
	Sink Space	33	9	24

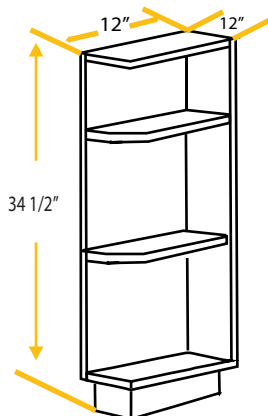
SINK BASE - DIAGONAL SINK FRONT /DIAGONAL SINK FLOOR



Model	Description	Width	Height	Depth
DCSF42	Dimension	25 1/2	30	3/4
SBF4242	Dimension	42	42	3/4



BASE END SHELVES



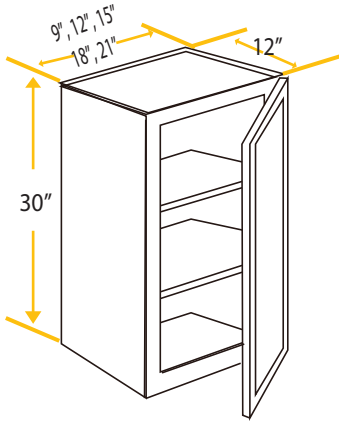
Model	Description	Width	Height	Depth
BES12	Cabinet Dimension	12	34 1/2	12



Product Specifications

WALL CABINETS

30" WALL CABINETS

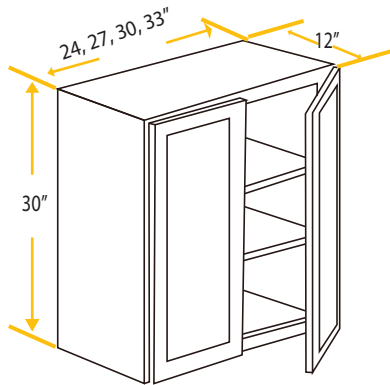


Model	Description	Width	Height	Depth
W1230	Cabinet Dimension	12	30	12
	Door Dimension	11 ½	29½	¾

W1530	Cabinet Dimension	15	30	12
	Door Dimension	14 ½	29½	¾

W1830	Cabinet Dimension	18	30	12
	Door Dimension	17 ½	29½	¾

W2130	Cabinet Dimension	21	30	12
	Door Dimension	20 ½	29½	¾

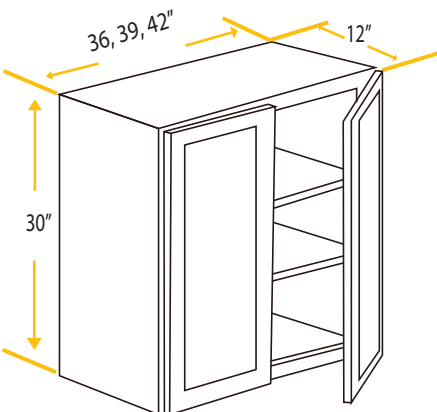


W2430	Cabinet Dimension	24	30	12
	Door Dimension	11 ¾	29½	¾

W2730	Cabinet Dimension	27	30	12
	Door Dimension	13	29½	¾

W3030	Cabinet Dimension	30	30	12
	Door Dimension	14 ¾	29½	¾

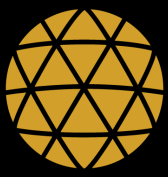
W3330	Cabinet Dimension	33	30	12
	Door Dimension	16	29½	¾



(With Center Stile)

W3630	Cabinet Dimension	36	30	12
	Door Dimension	17¾	29½	¾

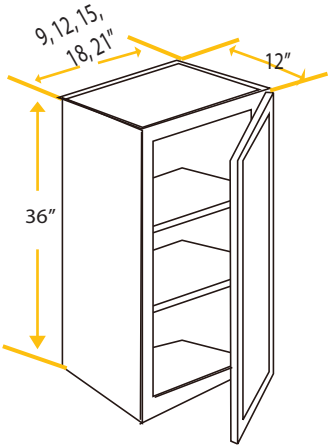
W4230	Cabinet Dimension	42	30	12
	Door Dimension	20 ½	29½	¾



Product Specifications

WALL CABINETS

36" HIGH WALL CABINETS

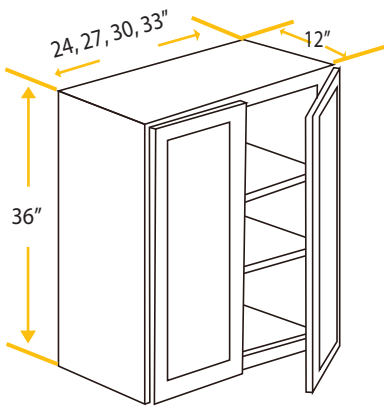


Model	Description	Width	Height	Depth
W1236	Cabinet Dimension	12	36	12
	Door Dimension	11 ½	35 ½	¾

W1536	Cabinet Dimension	15	36	12
	Door Dimension	14 ½	35 ½	¾

W1836	Cabinet Dimension	18	36	12
	Door Dimension	17 ½	35 ½	¾

W2136	Cabinet Dimension	21	36	12
	Door Dimension	20 ½	35 ½	¾

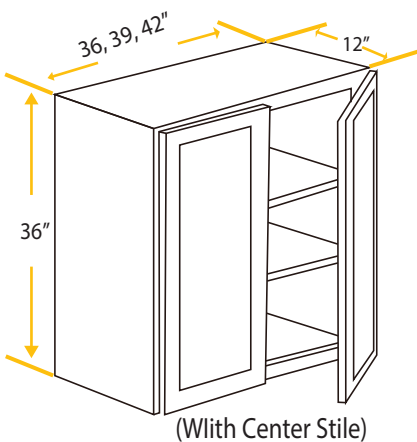


W2436	Cabinet Dimension	24	36	12
	Door Dimension	11 ¾	35	¾

W2736	Cabinet Dimension	27	36	12
	Door Dimension	13	35 ½	¾

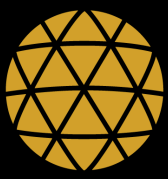
W3036	Cabinet Dimension	30	36	12
	Door Dimension	14 ¾	35 ½	¾

W3336	Cabinet Dimension	33	36	12
	Door Dimension	16	35 ½	¾



W3636	Cabinet Dimension	36	36	12
	Door Dimension	17 ½	35 ½	¾

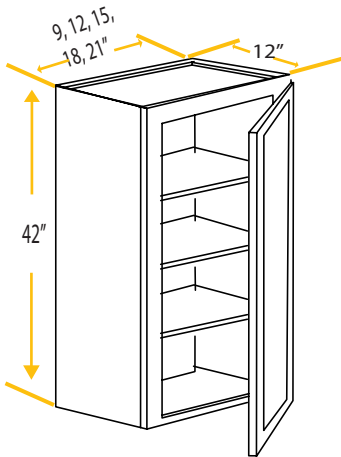
W4236	Cabinet Dimension	42	36	12
	Door Dimension	20 ½	35 ½	¾



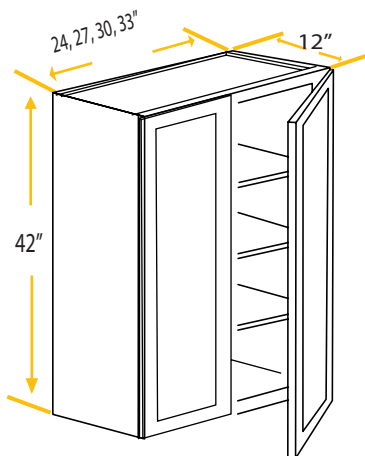
Product Specifications

WALL CABINETS

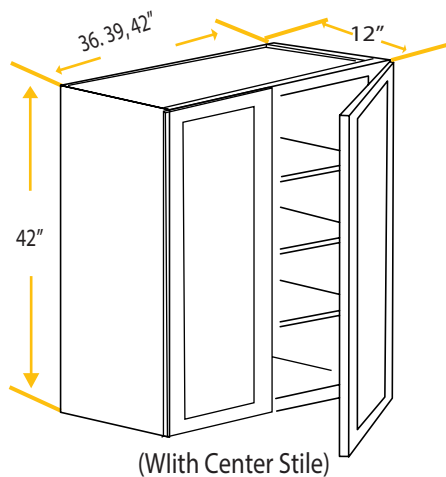
42" HIGH WALL CABINETS



Model	Description	Width	Height	Depth
W1242	Cabinet Dimension	12	42	12
	Door Dimension	11 ½	41 ½	¾
W1542	Cabinet Dimension	15	42	12
	Door Dimension	14 ½	41 ½	¾
W1842	Cabinet Dimension	18	42	12
	Door Dimension	17 ½	41 ½	¾
W2142	Cabinet	21	42	12
	Door Dimension	20 ½	41	¾



W2442	Cabinet Dimension	24	42	12
	Door Dimension	11 ¾	42 ½	¾
W2742	Cabinet Dimension	27	42	12
	Door Dimension	13	41 ½	¾
W3042	Cabinet Dimension	30	42	12
	Door Dimension	14 ¾	41 ½	¾
W3342	Cabinet Dimension	33	42	12
	Door Dimension	16	41 ½	¾



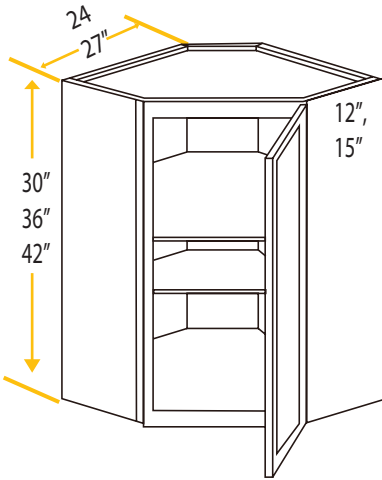
W3642	Cabinet Dimension	36	42	12
	Door Dimension	17 ½	41 ½	¾
W4242	Cabinet Dimension	42	42	12
	Door Dimension	20 ½	41 ½	¾



Product Specifications

WALL CABINETS

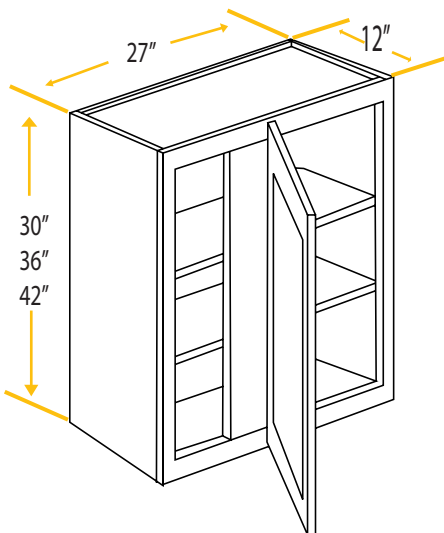
WALL DIAGONAL CABINETS



* WDC2742 has 3 shelves

Model	Description	Width	Height	Depth
WDC2430	Cabinet Dimension	24	30	12
	Door Dimension	15 ½	29 ½	¾
WDC2436	Cabinet Dimension	24	36	12
	Door Dimension	15 ½	35 ½	¾
WDC2442	Cabinet Dimension	24	42	12
	Door Dimension	15 ½	41 ½	¾
WDC2730	Cabinet Dimension	27	30	15
	Door Dimension	15 ½	29 ½	¾
WDC2736	Cabinet Dimension	27	36	15
	Door Dimension	15 ½	35 ½	¾
WDC2742	Cabinet Dimension	27	42	15
	Door Dimension	15 ½	41 ½	¾

WALL BLINDE CABINETS



* The center stile is 6"
 * The opening space is 9"
 * WBC2742 has 3 shelves

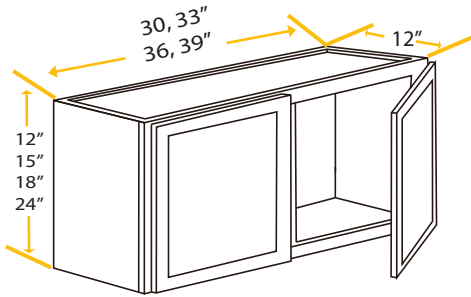
WBC2736	Cabinet Dimension	27	36	12
	Door Dimension	12 ½	35 ½	¾
WBC2730	Cabinet Dimension	27	30	12
	Door Dimension	12 ½	29 ½	¾
WBC2742	Cabinet Dimension	27	42	12
	Door Dimension	12 ½	41 ½	¾



Product Specifications

WALL CABINETS

BRIDGE WALL CABINETS



* 36", 39" wall cabinets has center stile

Model	Description	Width	Height	Depth
W3012	Cabinet Dimension	30	12	12
	Door Dimension	14 ¾	11½	¾

W3312	Cabinet Dimension	33	12	12
	Door Dimension	16 ¾	11½	¾

W3612	Cabinet Dimension	36	12	12
	Door Dimension	17 ½	11½	¾

W3015	Cabinet Dimension	30	16	12
	Door Dimension	14 ¾	14½	¾

W3315	Cabinet Dimension	33	15	12
	Door Dimension	16 ¾	14½	¾

W3615	Cabinet Dimension	36	15	12
	Door Dimension	17 ½	14½	¾

W3018	Cabinet Dimension	30	18	12
	Door Dimension	14 ¾	17½	¾

W3318	Cabinet Dimension	33	18	12
	Door Dimension	16 ¾	17½	¾

W3618	Cabinet Dimension	36	18	12
	Door Dimension	17 ½	17½	¾

W3024	Cabinet Dimension	30	18	12
	Door Dimension	14 ¾	23½	¾

W3324	Cabinet Dimension	33	18	12
	Door Dimension	16 ¾	23½	¾

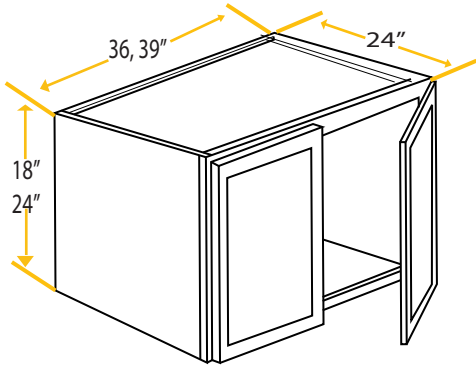
W3624	Cabinet Dimension	36	18	12
	Door Dimension	17 ½	23½	¾



Product Specifications

WALL CABINETS

REFRIGERATOR WALL CABINETS

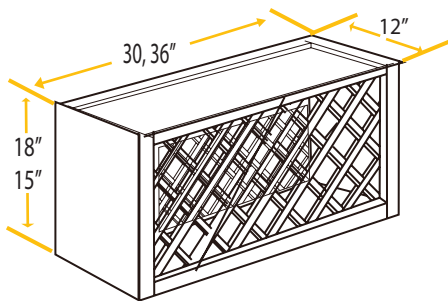


Model	Description	Width	Height	Depth
W361824	Cabinet Dimension	36	18	24
	Door Dimension	17 ½	17½	¾
W362424	Cabinet Dimension	36	18	24
	Door Dimension	17 ½	23½	¾

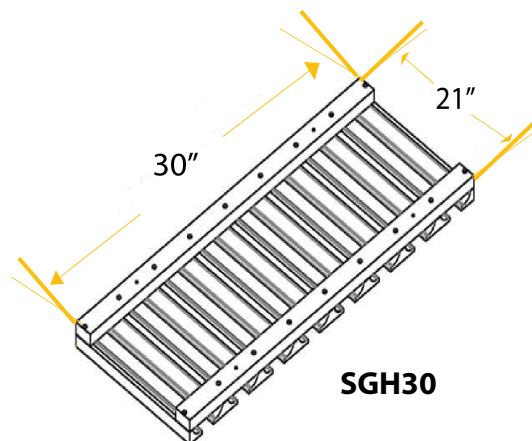
* 36", 39" wall cabinets has center stile

WINE RACK CABINETS

STEM GLASS HOLDER 30



WRC3015	Cabinet Dimension	30	15	12
WRC3618	Cabinet Dimension	36	18	12



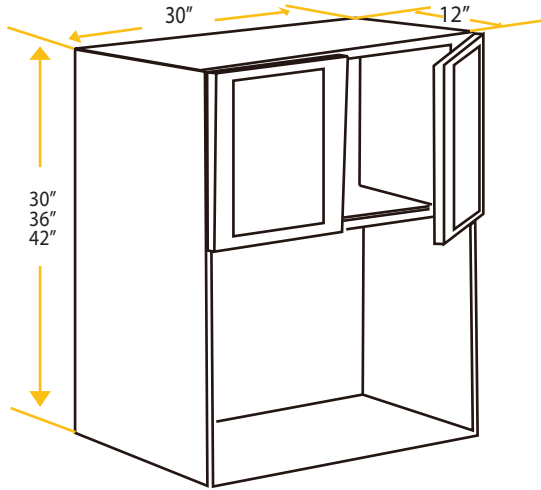
SGH30



Product Specifications

WALL CABINETS

WALL MICROWAVE CABINETS



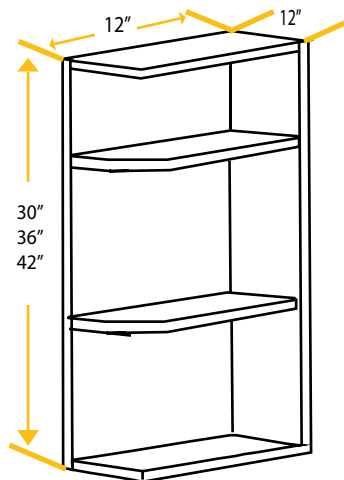
Model	Description	Width	Height	Depth
WMC3030	Cabinet Dimension	30	30	12
	Door Dimension	14 ¾	11 ½	¾
	Opening Area	27	15 ½	17 ½

WMC3036	Cabinet Dimension	30	36	12
	Door Dimension	14 ¾	17 ¾	¾
	Opening Area	27	15 ½	15

WMC3042	Cabinet Dimension	30	42	12
	Door Dimension	14 ¾	23 ½	¾
	Opening Area	27	15 ½	15

(The opening interior is painted to match with the exterior)

WALL END SHELVES



Model	Description	Width	Height	Depth
WES30	Cabinet Dimension	12	30	12

WES36	Cabinet Dimension	12	36	12
-------	-------------------	----	----	----

WES42	Cabinet Dimension	12	42	12
-------	-------------------	----	----	----

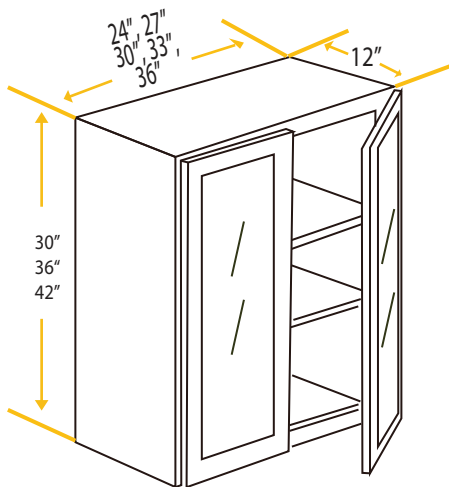
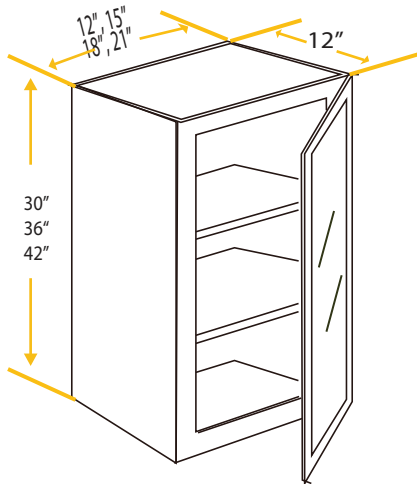
* WES42 has 3 shelves



Product Specifications

WALL CABINETS

WALL CABINETS WITH GLASS DOOR



Model	Description	Width	Height	Depth
W1230GD	Cabinet Dimension	12	30	12
	Door Dimension	11 ½	29 ½	¾
W1530GD	Cabinet Dimension	15	30	12
	Door Dimension	14 ½	29 ½	¾
W1830GD	Cabinet Dimension	18	30	12
	Door Dimension	17 ½	29 ½	¾
W2130GD	Cabinet Dimension	21	30	12
	Door Dimension	20 ½	29 ½	¾

W1236GD	Cabinet Dimension	12	36	12
	Door Dimension	11 ½	35 ½	¾
W1536GD	Cabinet Dimension	15	36	12
	Door Dimension	14 ½	35 ½	¾
W1836GD	Cabinet Dimension	18	36	12
	Door Dimension	17 ½	35 ½	¾
W2136GD	Cabinet Dimension	21	36	12
	Door Dimension	20 ½	35 ½	¾

W1242GD	Cabinet Dimension	12	42	12
	Door Dimension	11 ½	41 ½	¾
W1542GD	Cabinet Dimension	15	42	12
	Door Dimension	14 ½	41 ½	¾
W1842GD	Cabinet Dimension	18	42	12
	Door Dimension	17 ½	41 ½	¾
W2142GD	Cabinet Dimension	21	42	12
	Door Dimension	20 ½	41 ½	¾

W2430GD	Cabinet Dimension	24	30	12
	Door Dimension	11 ¾	29 ½	¾
W2730GD	Cabinet Dimension	27	30	12
	Door Dimension	13	29 ½	¾
W3030GD	Cabinet Dimension	30	30	12
	Door Dimension	14 ¾	29 ½	¾
W3330GD	Cabinet Dimension	33	30	12
	Door Dimension	16	29 ½	¾
W3630GD	Cabinet Dimension	36	30	12
	Door Dimension	17 ½	29 ½	¾

W2436GD	Cabinet Dimension	24	36	12
	Door Dimension	11 ¾	35 ½	¾
W2736GD	Cabinet Dimension	27	36	12
	Door Dimension	13	35 ½	¾
W3036GD	Cabinet Dimension	30	36	12
	Door Dimension	14 ¾	35 ½	¾
W3336GD	Cabinet Dimension	33	36	12
	Door Dimension	16	35 ½	¾
W3636GD	Cabinet Dimension	36	36	12
	Door Dimension	17 ½	35 ½	¾

W2442GD	Cabinet Dimension	24	42	12
	Door Dimension	11 ¾	41 ½	¾
W2742GD	Cabinet Dimension	27	42	12
	Door Dimension	13	41 ½	¾
W3042GD	Cabinet Dimension	30	42	12
	Door Dimension	14 ¾	41 ½	¾
W3342GD	Cabinet Dimension	33	42	12
	Door Dimension	16	41 ½	¾
W3642GD	Cabinet Dimension	36	42	12
	Door Dimension	17 ½	41 ½	¾

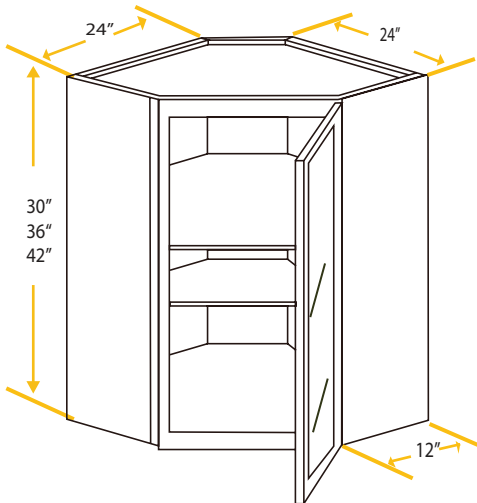
- * These cabinets don't come with glass
- * The interior is painted to match the exterior
- * The 42" wall cabinets has 3 shelves



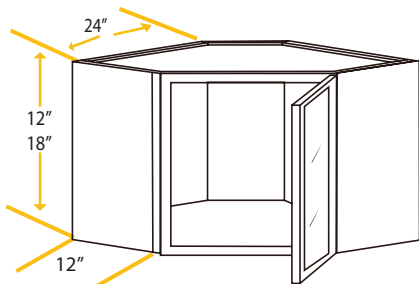
Product Specifications

WALL CABINETS

DIAGONAL CORNER WALL CABINETS WITH GLASS DOOR



* WDC2742 has 3 shelves



Model	Description	Width	Height	Depth
WDC2430	Cabinet Dimension	24	30	12
	Door Dimension	15 ½	29½	¾

WDC2436	Cabinet Dimension	24	36	12
	Door Dimension	15 ½	35 ½	¾

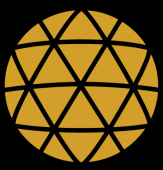
WDC2442	Cabinet Dimension	24	42	12
	Door Dimension	15 ½	41 ½	¾

WDC2412	Cabinet Dimension	24	11 ½	12
	Door Dimension	15 ½	½	¾

WDC2418	Cabinet Dimension	24	17 ½	12
	Door Dimension	15 ½	½	¾

* These cabinets don't come with glass

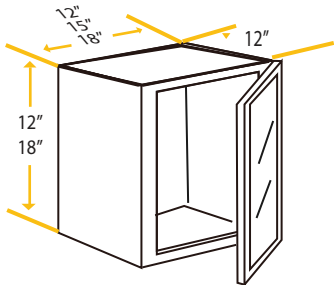
* The interior is painted to match the exterior



Product Specifications

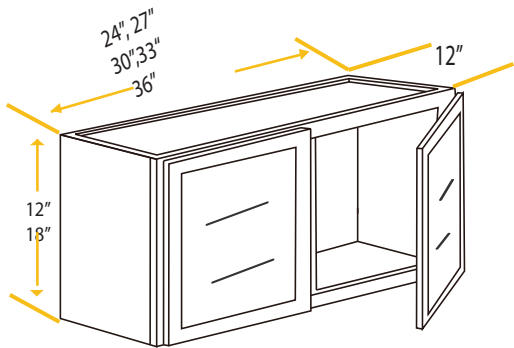
WALL CABINETS

STACK WALL CABINETS WITH GLASS DOOR



Model	Description	Width	Height	Depth
W912GD	Cabinet Dimension	9	12	12
	Door Dimension	8 ½	11 ½	¾
W1212GD	Cabinet Dimension	12	12	12
	Door Dimension	11 ½	11 ½	¾
W1512GD	Cabinet Dimension	15	12	12
	Door Dimension	14 ½	11 ½	¾
W1812GD	Cabinet Dimension	18	12	12
	Door Dimension	17 ½	11 ½	¾
W2112GD	Cabinet Dimension	21	12	12
	Door Dimension	20 ½	11 ½	¾

W918GD	Cabinet Dimension	9	12	12
	Door Dimension	8 ½	11 ½	¾
W1218GD	Cabinet Dimension	12	12	12
	Door Dimension	11 ½	11 ½	¾
W1518GD	Cabinet Dimension	15	12	12
	Door Dimension	14 ½	11 ½	¾
W1818GD	Cabinet Dimension	18	12	12
	Door Dimension	17 ½	11 ½	¾
W2118GD	Cabinet Dimension	21	12	12
	Door Dimension	20 ½	11 ½	¾



W2412GD	Cabinet Dimension	24	12	12
	Door Dimension	11 ¾	11 ½	¾
W2712GD	Cabinet Dimension	27	12	12
	Door Dimension	13 ¾	11 ½	¾
W3012GD	Cabinet Dimension	30	12	12
	Door Dimension	14 ¾	11 ½	¾
W3312GD	Cabinet Dimension	33	12	12
	Door Dimension	16 ¾	11 ½	¾
W3612GD	Cabinet Dimension	36	12	12
	Door Dimension	17 ¾	11 ½	¾

W2418GD	Cabinet Dimension	24	12	12
	Door Dimension	11 ¾	11 ½	¾
W2718GD	Cabinet Dimension	27	12	12
	Door Dimension	13 ¾	11 ½	¾
W3018GD	Cabinet Dimension	30	12	12
	Door Dimension	14 ¾	11 ½	¾
W3318GD	Cabinet Dimension	33	12	12
	Door Dimension	16 ¾	11 ½	¾
W3618GD	Cabinet Dimension	36	12	12
	Door Dimension	17 ¾	11 ½	¾

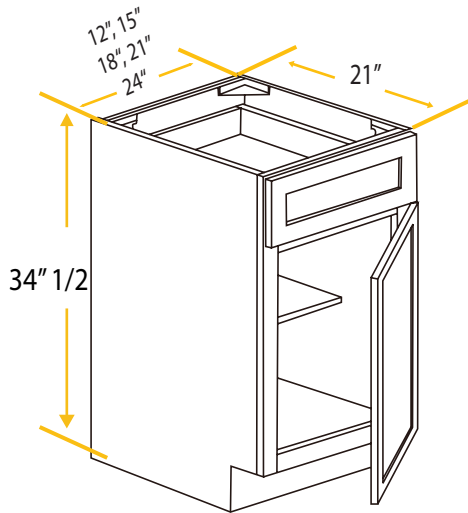
* These cabinets don't come with glass
 * The interior is painted to match the exterior



Product Specifications

VANITY CABINETS

VANITY BASE CABINETS



Model	Description	Width	Height	Depth
VB12	Cabinet Dimension	12	34 1/2	21
	Door Front	11 1/2	22 1/2	3/4
	Drawer Front	11 1/2	6 1/2	3/4
	Drawer Boxes	8 1/2	3	18

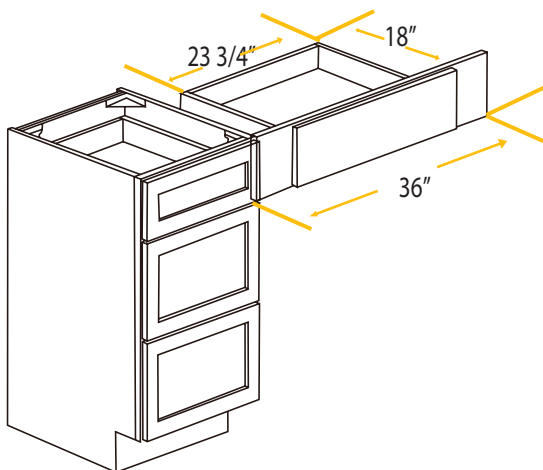
VB15	Cabinet Dimension	15	34 1/2	21
	Door Front	14 1/2	22 1/2	3/4
	Drawer Front	14 1/2	6 1/2	3/4
	Drawer Boxes	11 1/2	3	18

VB18	Cabinet Dimension	18	34 1/2	21
	Door Front	17 1/2	22 1/2	3/4
	Drawer Front	17 1/2	6 1/2	3/4
	Drawer Boxes	14 1/2	3	18

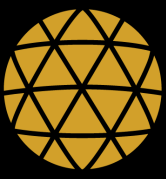
VB21	Cabinet Dimension	21	34 1/2	21
	Door Front	20 1/2	22 1/2	3/4
	Drawer Front	20 1/2	6 1/2	3/4
	Drawer Boxes	17 1/2	3	18

VB24	Cabinet Dimension	24	34 1/2	21
	Door Front	23 1/2	22 1/2	3/4
	Drawer Front	23 1/2	6 1/2	3/4
	Drawer Boxes	20 1/2	3	18

VANITY KNEE DRAWER



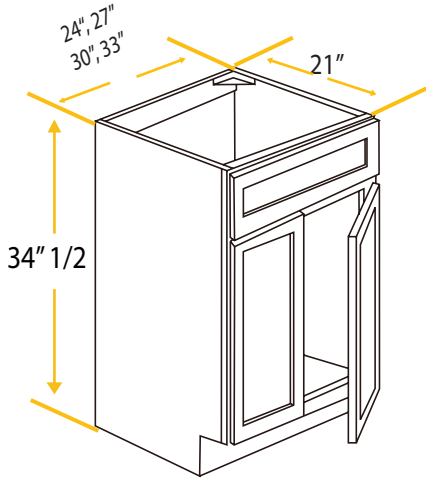
VKD36



Product Specifications

VANITY CABINETS

VANITY SINK CABINETS

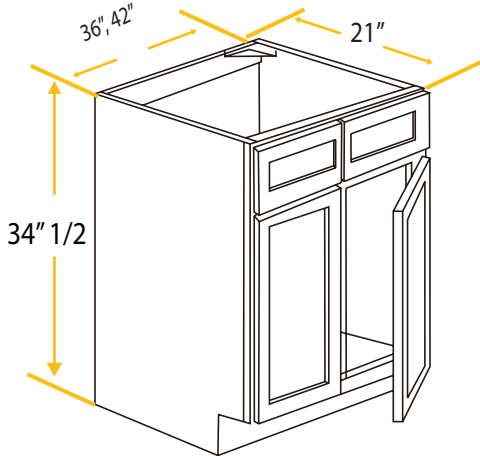


Model	Description	Width	Height	Depth
VS24	Cabinet Dimension	24	34 1/2	21
	Door Front	23 1/2	22 1/2	3/4
	Drawer Front	11 3/4	6 1/2	3/4

VS27	Cabinet Dimension	27	34 1/2	21
	Door Front	13 1/2	22 1/2	3/4
	Drawer Front	26 1/2	6 1/2	3/4

VS30	Cabinet Dimension	30	34 1/2	21
	Door Front	14 3/4	22 1/2	3/4
	Drawer Front	29 1/2	6 1/2	3/4

VS33	Cabinet Dimension	33	34 1/2	21
	Door Front	16 1/2	22 1/2	3/4
	Drawer Front	32 1/2	6 1/2	3/4



(With Center Stile)

VS36	Cabinet Dimension	36	34 1/2	21
	Door Front	17 1/2	22 1/2	3/4
	Drawer Front	17 1/2	6 1/2	3/4

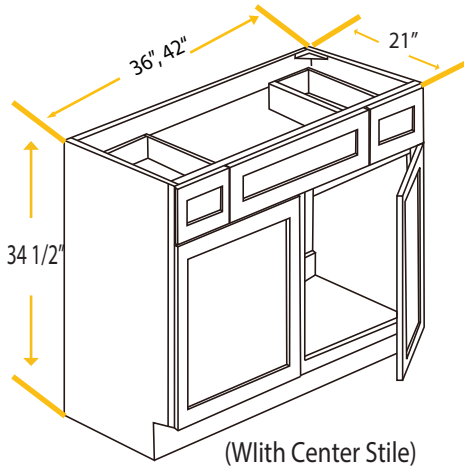
VS42	Cabinet Dimension	42	34 1/2	21
	Door Dimension	20 1/2	22 1/2	3/4
	Drawer Front	20 1/2	6 1/2	3/4



Product Specifications

VANITY CABINETS

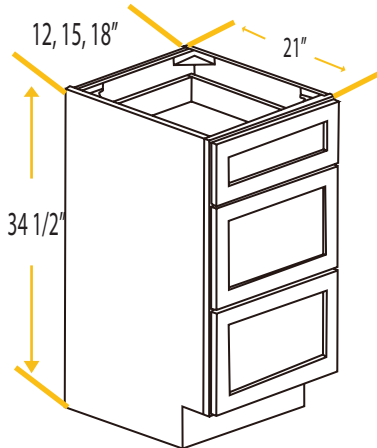
VANITY SINK DRAWER CABINETS



Model	Description	Width	Height	Depth
VCD36	Cabinet Dimension	36	34 1/2	21
	Door Dimension	17 1/2	22 1/4	3/4
	Side Drawer Front	8 1/2	6 1/4	3/4
	Middle Drawer Front	17 1/2	6 1/4	3/4
	Side Drawer Boxes	5 1/2	3 1/2	18

VCD42	Cabinet Dimension	42	34 1/2	21
	Door Dimension	20 3/4	22 1/2	3/4
	Side Drawer Front	11 1/2	6 1/2	3/4
	Middle Drawer Front	23 1/2	6 1/2	3/4
	Side Drawer Boxes	8 1/2	3 1/2	18

VANIT DRAWER CABINETS



3VDB12	Cabinet Dimension	12	34 1/2	21
	Top Drawer Front	11 1/2	6 1/2	3/4
	Top Drawer Box	8 1/2	3 3/4	18
	Bottom two Drawer Front	11 1/2	11	3/4
	Bottom Two Drawer Boxes	8 1/2	6	18

3VDB15	Cabinet Dimension	15	34 1/2	21
	Top Drawer Front	14 1/2	6 1/2	3/4
	Top Drawer Box	11 1/2	3 3/4	18
	Bottom two Drawer Front	14 1/2	11	3/4
	Bottom Two Drawer Boxes	11 1/2	6	18

3VDB18	Cabinet Dimension	18	34 1/2	21
	Top Drawer Front	17 1/2	6 1/2	3/4
	Top Drawer Box	14 1/2	3 3/4	18
	Bottom two Drawer Front	17 1/2	11	3/4
	Bottom Two Drawer Boxes	14 1/2	6	18

3VDB21	Cabinet Dimension	21	34 1/2	21
	Top Drawer Front	20 1/2	6 1/2	3/4
	Top Drawer Box	17 1/2	3 3/4	18
	Bottom two Drawer Front	20 1/2	11	3/4
	Bottom Two Drawer Boxes	17 1/2	6	18

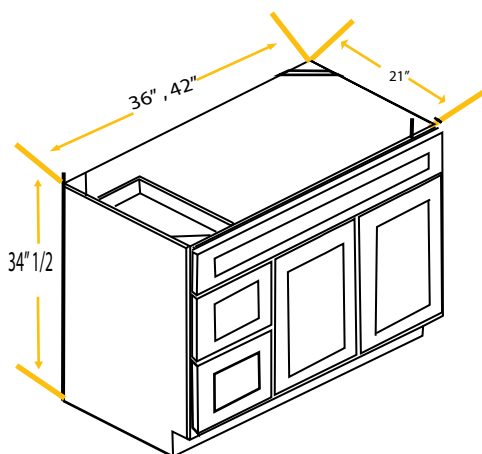
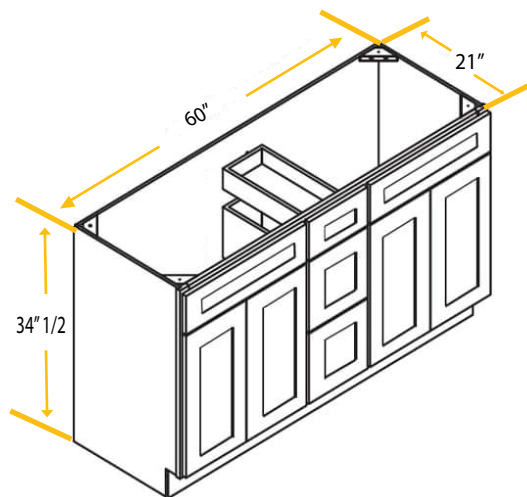
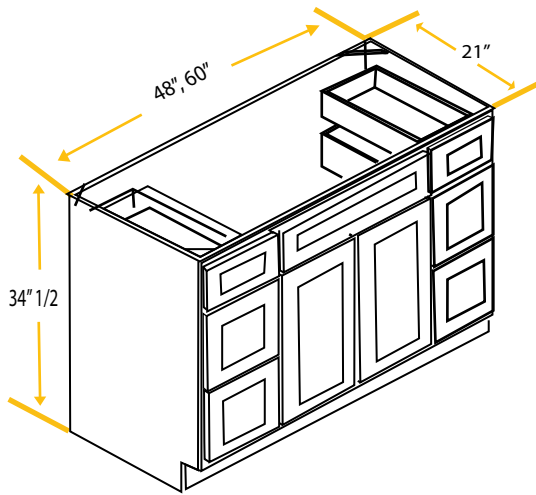
3VDB24	Cabinet Dimension	24	34 1/2	21
	Top Drawer Front	23 1/2	6 1/2	3/4
	Top Drawer Box	20 1/2	3 3/4	18
	Bottom two Drawer Front	23 1/2	11	3/4
	Bottom Two Drawer Boxes	20 1/2	6	18



Product Specifications

VANITY CABINETS

VANITY COMBO CABINETS



VANITY SINK DOUBLE DRAWER

Model	Description	Width	Height	Depth
VSDD48	Cabinet Dimension	48	34 1/2	21
	Door Dimension	11 3/4	22 1/2	3/4
	Top Side Drawer Front	11 5/8	6 1/2	3/4
	Top Middle Drawer Front	23 1/2	6 1/2	3/4
	Bottom Side Drawer Front	11 5/8	11 1/4	3/4

VSDD60	Cabinet Dimension	60	34 1/2	21
	Door Dimension	17 3/4	22 1/2	3/4
	Top Side Drawer Front	11 5/8	6 1/2	3/4
	Top Middle Drawer Front	35 1/2	6 1/2	3/4
	Bottom Side Drawer Front	11 5/8	11 1/4	3/4

VANITY CABINET DOUBLE SINKS

Model	Description	Width	Height	Depth
VSDS60	Cabinet Dimension	60	34 1/2	21
	Door Dimension	11 3/4	22 1/2	3/4
	Top Sid Drawer Front	23 1/2	6 1/2	3/4
	Top Middle Drawer Front	11 5/8	6 1/2	3/4
	Bottom Side Drawer Front	11 5/8	11 1/4	3/4

VANITY COMBO CABINET - DRAWER LEFT OR RIGHT

VSDL36 & VS DR36	Cabinet Dimension	36	34 1/2	21
	Door Dimension	23 1/2	22 1/2	3/4
	TOP Drawer Front	35 1/2	6 1/2	3/4
	SIDE Drawer Front	11 5/8	11	3/4
	Side Drawer Boxes	8	7	18

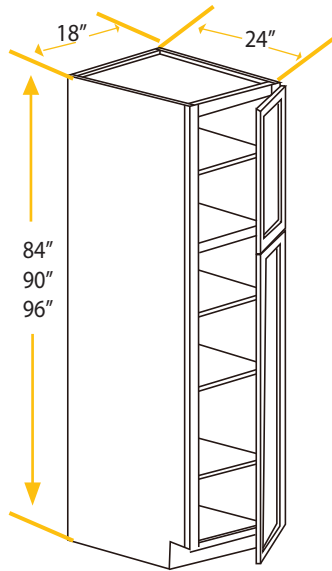
VSDL42 & VS DR42	Cabinet Dimension	42	34 1/2	21
	Door Dimension	29 1/2	22 1/2	3/4
	TOP Drawer Front	41 1/2	6 1/2	3/4
	SIDE Drawer Front	11 5/8	11	3/4
	Side Drawer Boxes	8	7	18



Product Specifications

UTILITY CABINETS

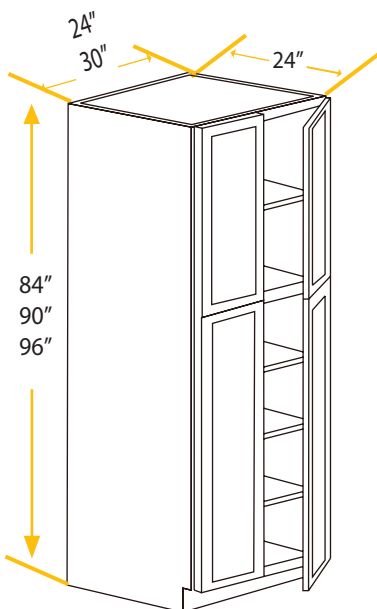
UTILITY CABINETS



Model	Description	Width	Height	Depth
U188424	Cabinet Dimension	18	84	24
	Top Door Dimension	17 ½	29 ½	¾
	Bottom Door Dimension	17 ½	49	¾

U189024	Cabinet Dimension	18	90	24
	Top Door Dimension	17 ½	35 ½	¾
	Bottom Door Dimension	17 ½	49	¾

U189624	Cabinet Dimension	18	96	24
	Top Door Dimension	17 ½	35 ½	¾
	Bottom Door Dimension	17 ½	49	¾



U248424	Cabinet Dimension	24	84	24
	Top Door Dimension	11 ¾	29 ½	¾
	Bottom Door Dimension	11 ¾	49	¾

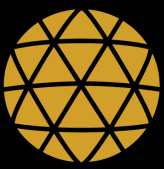
U249024	Cabinet Dimension	24	90	24
	Top Door Dimension	11 ¾	35 ½	¾
	Bottom Door Dimension	11 ¾	49	¾

U249624	Cabinet Dimension	24	96	24
	Top Door Dimension	11 ¾	41 ½	¾
	Bottom Door Dimension	11 ¾	49	¾

U308424	Cabinet Dimension	30	84	24
	Top Door Dimension	14 ¾	29 ½	¾
	Bottom Door Dimension	14 ¾	49	¾

U309024	Cabinet Dimension	30	90	24
	Top Door Dimension	14 ¾	35 ½	¾
	Bottom Door Dimension	14 ¾	49	¾

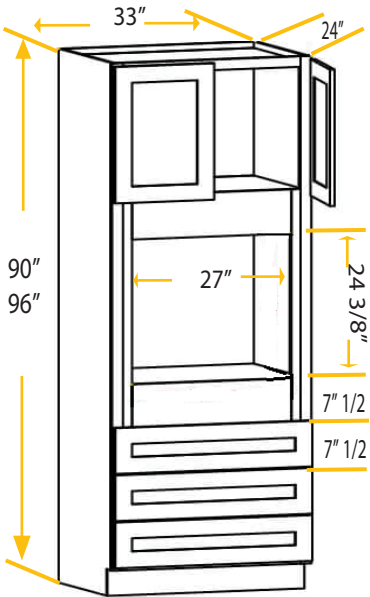
U309624	Cabinet Dimension	30	96	24
	Top Door Dimension	14 ¾	41 ½	¾
	Bottom Door Dimension	14 ¾	49	¾



Product Specifications

OTHERS

OVEN CABINETS



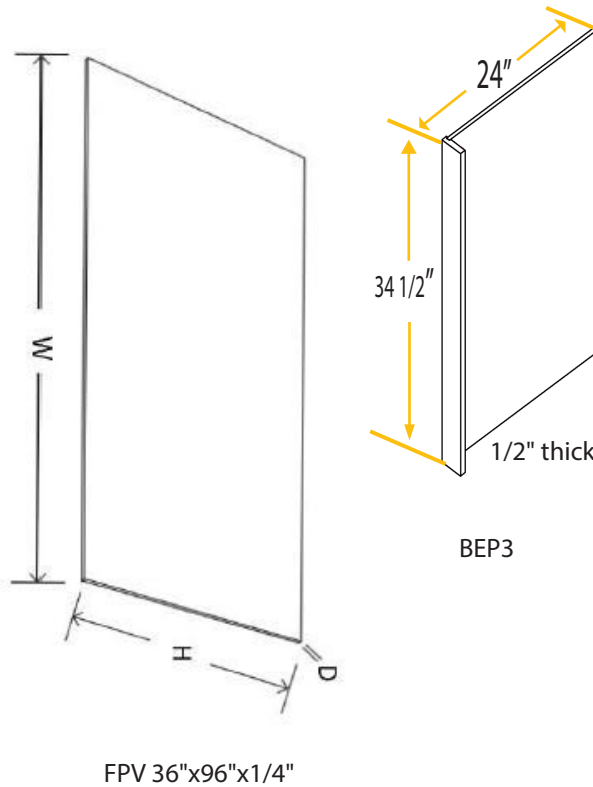
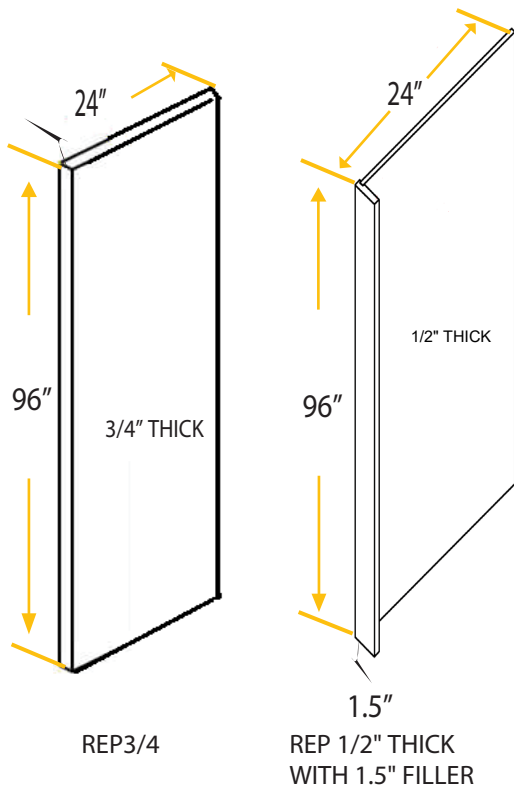
Model	Description	Width	Height	Depth
O339024	Cabinet Dimension	33	90	24
	Door Dimension	16 1/2	23 1/2	3/4
	Drawer Front	32 1/2	7 1/2	3/4
	Drawer Boxes	29 1/2	4	21

O339624	Cabinet Dimension	33	96	24
	Door Dimension	32 1/2	29 1/2	3/4
	Drawer Front	32 1/2	7 1/2	3/4
	Drawer Boxes	29 1/2	4	21

REFRIGERATOR END PANELS

SKIN PANEL

BASE END PANELS

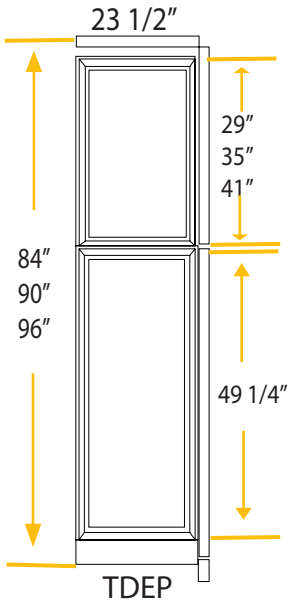




Product Specifications

OTHERS

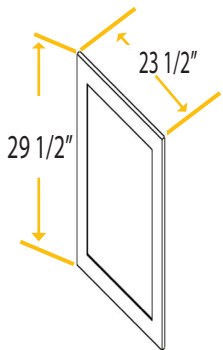
DECORATIVE END PANELS



Model	Description	Width	Height	Depth
TDEP2484	Top Door Dimension	23 1/2	29 1/2	3/4
	Bottom Door Dimension	23 1/2	49	3/4

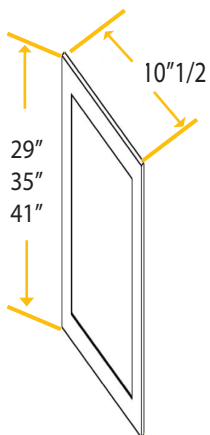
TDEP2490	Top Door Dimension	23 1/2	35 1/2	3/4
	Bottom Door Dimension	23 1/2	49	3/4

TDEP2496	Top Door Dimension	23 1/2	41 1/2	3/4
	Bottom Door Dimension	23 1/2	49	3/4



VDEP

BDEP	Base Decorative End Panel	23 1/2	29 1/2	3/4
VDEP	Vanity Decorative End Panel	20 1/2	29 1/2	3/4
WDEP30	Wall Decorative End Panel	11 1/2	29 1/2	3/4
WDEP36	Wall Decorative End Panel	11 1/2	35 1/2	3/4
WDEP42	Wall Decorative End Panel	11 1/2	41 1/2	3/4

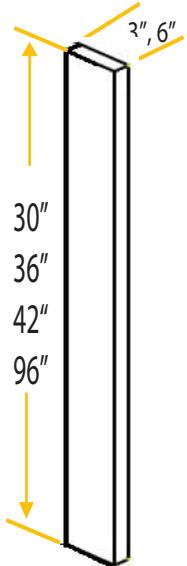




Product Specifications

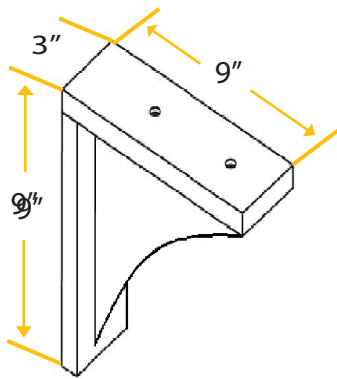
OTHERS

FILLERS

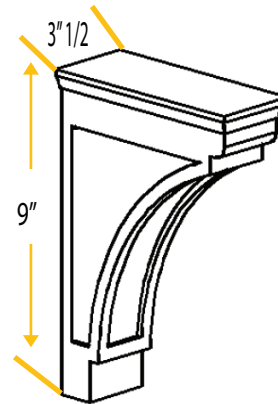


Model	Description	Width	Height	Depth
F330	Filler	3	30	3/4
F342	Filler	3	42	3/4
F396	Filler	3	96	3/4
F630	Filler	6	30	3/4
F642	Filler	6	42	3/4
F696	Filler	6	96	3/4

CORBELS

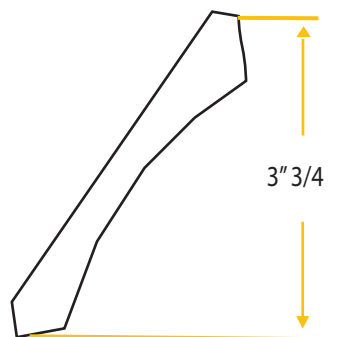


CB9x9



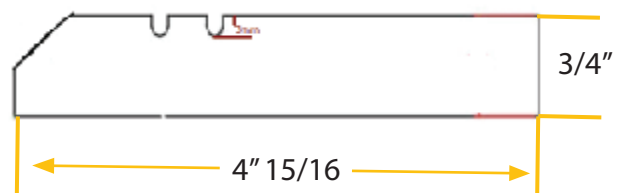
CBP3

COVE MOULDINGS



COVEL

FURNITURE BASE MOULDINGS



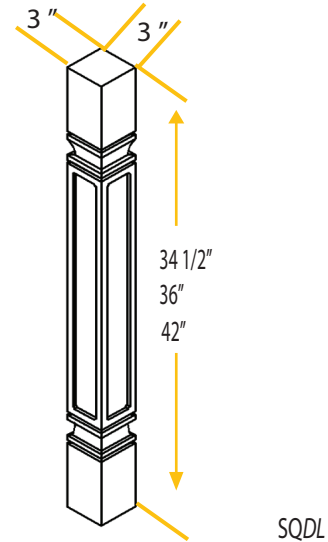
FBM



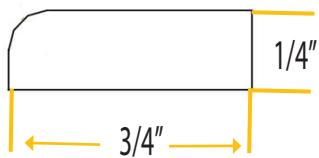
Product Specifications

OTHERS

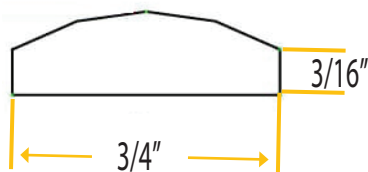
DECORATIVE LEGS



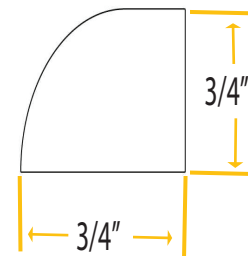
8' LONG TRIMS



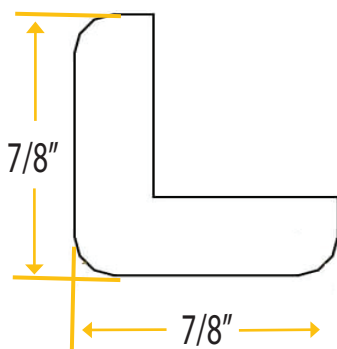
SCRIBE



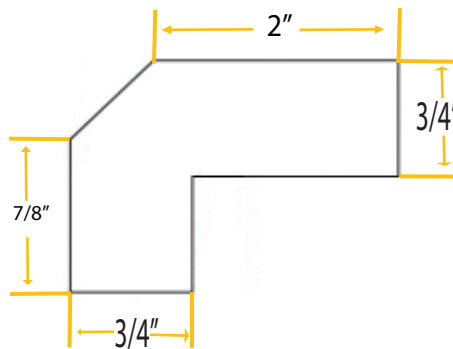
BAM



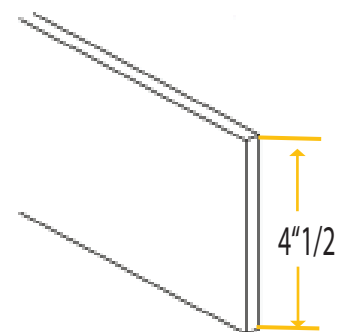
SHOE



OCM



LRM



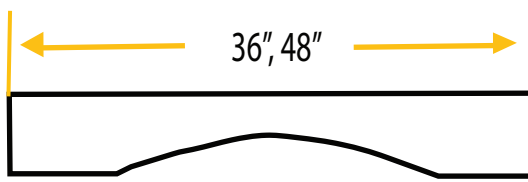
TKC



Product Specifications

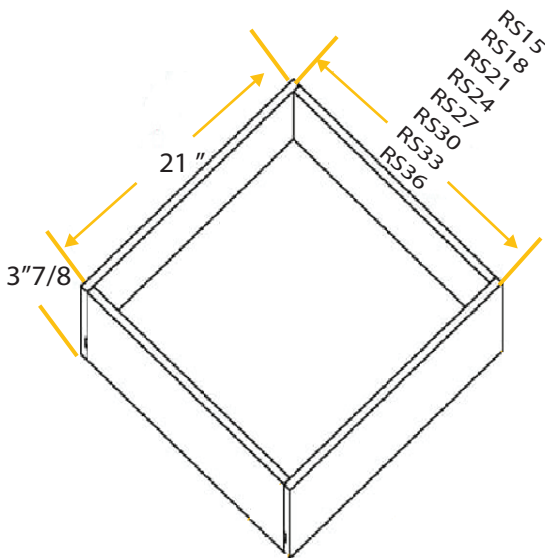
OTHERS

ARCHED VALANCES



VAL

ROLL OUT SHELF



Model	Description	Width	Height	Depth
ROT15	Roll Out Shelf 15	11	21	4
ROT18	Roll Out Shelf 18	14	21	4
ROT21	Roll Out Shelf 21	17	21	4
ROT24	Roll Out Shelf 24	20	21	4
ROT27	Roll Out Shelf 27	23	21	4
ROT30	Roll Out Shelf 30	26	21	4
ROT33	Roll Out Shelf 33	29	21	4
ROT36	Roll Out Shelf 36	32	21	4



ORDERING

STEP 1: Register To Become A Dealer

Visit our website at www.globalcabinetry.com. Click on "Become A Dealer" tab and fill out the online application with all pertinent business information. All applications will be reviewed within 1-2 business days. A sales representative will reach out to you to assign pricing and activate your account.

STEP 2: Cabinet Selection

Now that your account is activated you can then navigate the website fully and begin to build your order by adding items to your cart.

STEP 3: Check Out

Once you have finished adding the desired items to your cart you can then save the order to your account as a quote to revisit later, or you can proceed through the check out process.

ASSEMBLY

1. Cabinets can be purchased RTA(flat-pack) and assembled by the customer with glue and staples, or the included metal L-brackets.
2. Assembly by Global Cabinetry is also available as a service to our customers. Assembly is available for local warehouse pick up and also as an LTLfreight orders for an additional fee which is calculated via the website.
3. If you need acabinet modified please send an email to sales@globalcabinetry.com for pricing and availability.

DELIVERY/PICK UP

We offer delivery to local customers for a fee. For customers outside our local delivery perimeter we can ship LTL Freight (Less Than Truck Load) anywhere in the lower 48 states on a pallet.

LEAD TIME

All RTA orders will processed within 48 hours and shipped within 72 hrs of the order being placed excluding weekends. Transit time are uaually 1-5 business days depending on your location.

Order requiring assembly will taken an additional 2-3 days.

All RTA orders placed before 12pm for local pick up from our warehouse will be ready for customer pick up within 2 business days.